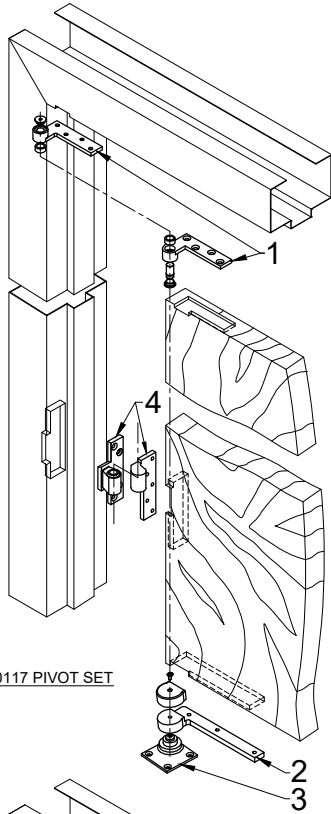
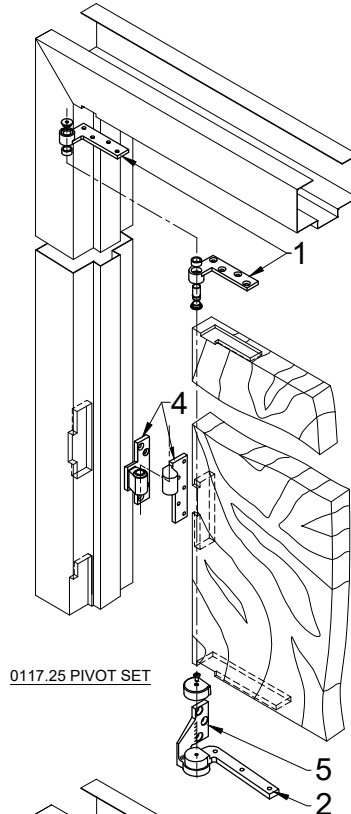


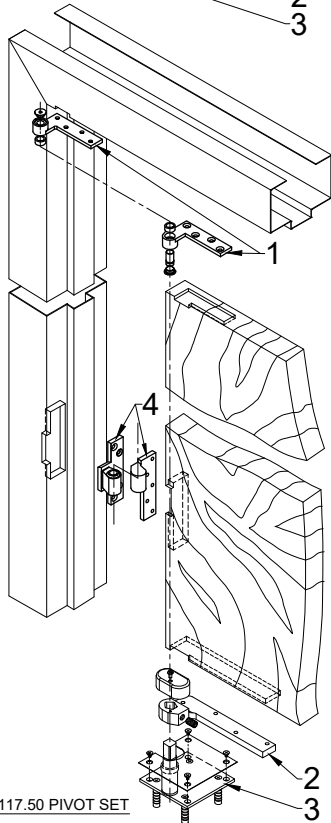
3/4" OFFSET PIVOT SET - SINGLE ACTING



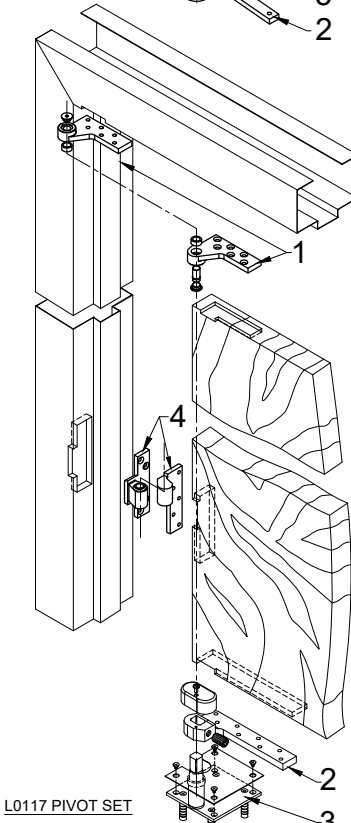
0117 PIVOT SET



0117.25 PIVOT SET



0117.50 PIVOT SET



L0117 PIVOT SET

0117 Pivot Set

For Steel or Wood doors up to 42" wide & weighing up to 300 lb.

For up to 3 hours fire rated door-standard

- | | | |
|---|-------------|----------------------------------|
| 1 | 0180 | Top pivot, door & jamb leaf |
| 2 | 0117 | Bottom Arm |
| 3 | | Floor Bearing, S.S.(heavy duty) |
| 4 | 019* | Intermediate pivot (recommended) |
- Specify Handing - LH or RH

0117.25 Pivot Set

For Steel or Wood doors up to 42" wide & weighing up to 250 lb.

For up to 3 hrs. fire rated door-standard

- | | | |
|---|-------------|---|
| 1 | 0180 | Top pivot, door & jamb leaf |
| 2 | 0117 | Bottom Arm |
| 5 | | Side Jamb rest on Floor Bearing, S.S.(heavy duty) |
| 4 | 019* | Intermediate pivot (recommended) |
- Specify Handing - LH or RH

0117.50 Pivot Set

For Steel or Wood doors up to 48" wide & weighing up to 650 lb.

For up to 3 hours fire rated door-standard

- | | | |
|---|----------------|---------------------------------|
| 1 | 0180 | Top pivot, door & jamb leaf |
| 2 | 0117.50 | Bottom Arm |
| 3 | | Floor Bearing, S.S.(heavy duty) |
| 4 | 019* | Intermediate pivot (required) |
- Specify Handing - LH or RH

L0117 Pivot Set

For 1-3/4" lead-lined doors up to 48" wide & weighing up to 1750 lb.

For up to 3 hours fire rated door-standard

- | | | |
|---|--------------|---------------------------------|
| 1 | L0180 | Top pivot |
| 2 | L0117 | Bottom Arm |
| 3 | | Floor Bearing, S.S.(heavy duty) |
| 4 | L019* | Intermediate pivot (required) |
- Specify Handing - LH or RH

* Use of 019/L019 Intermediate Pivot(s) as needed. Door size & Weight Capacity of Pivot set are dependent on use of Intermediate Pivot(s). (order separately)

3/4" OFFSET PIVOT CONFIGURATION.DWG

PIVOT CONFIGURATION
3/4" OFFSET
(0117,0117.25,0117.5,L0117)



www.abhmfg.com

E-mail: abhinfo@abhmfg.com

Architectural Builders Hardware Mfg., Inc.

1222 Ardmore Ave., Itasca, IL 60143

630.875.9900; FAX 800.9FAXABH (932.9224)

©2021 ABH Mfg., Inc.
printed in USA

REVISED 7/22/21